



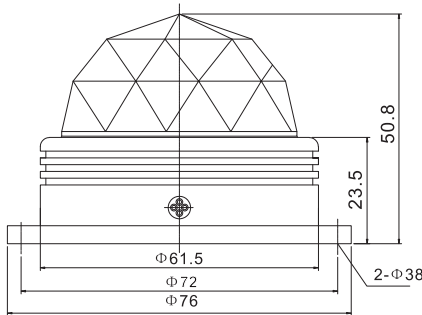
**W. Schmid AG**

LED-Technology  
the visible difference

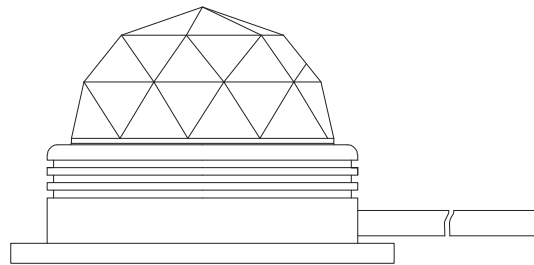
## Surface mounted LED indicator ABL76C



ABL76C, 24 VDC



2 mounting holes  $\varnothing=3\text{mm}$ ,  
distance: 72mm



lateral cable outlet

### Specifications:

Description:	ABL76C, surface mounted LED indicator 76mm, convex
Dimensions:	$\varnothing=76\text{mm}$ , $H=50.8\text{mm}$
Supply voltage:	24 VDC
Power consumption:	2.88W
Viewing angle:	120°
Degree of protection:	IP 65
Class of protection:	III
Operating temperature:	-25 up to +50°C
Material:	Colourless anodized aluminium, transparent diff. lens
Weight:	0.13kg
Connection:	Cable, length: 0.3-0.4m
Available ill. colours:	white, warm white, red, yellow, green, blue, orange, RGB
Applications:	Pilot light, access control, machine light, wall lamp, floor lamp, alarm indicator etc.