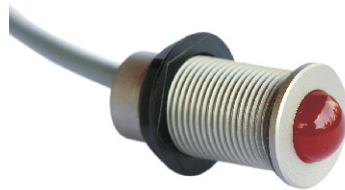




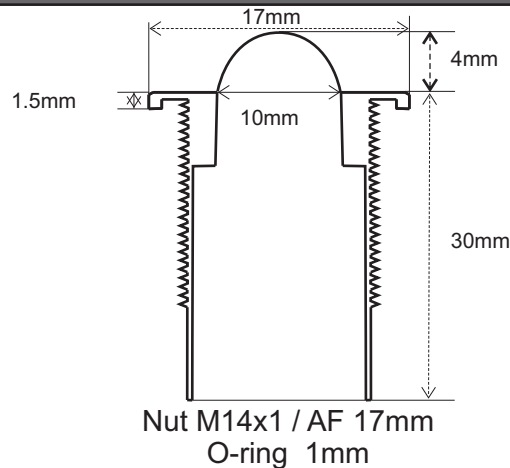
W. Schmid AG

LED-Technology
the visible difference

LED - Indicator WSF 17



WSF 17- LED Indicator 2-230 VDC/VAC



- this pilot lamp exceeds all expectations regarding quality, life span and brightness
- reliable LED technology - round konvex LED, 17mm Ø, mounting hole 14,5mm Ø
- different ill. colors available (see separate color code table)
- long service life (half-life of >50'000 hours)
- resin encapsulation system - gas-tight and waterproof IP67
- grey or black anodized aluminum housing
- other housing colors, nickel and chrome plated aluminum housings available as an option
- resistant against acids and vandalism
- alternatively available with cast-in connecting cable, length 1.2 mtr
- available for different supply voltages, low current consumption
- ambient temperature range -40 up to +85 °C
- for applications in the chemical industry, railways, machine industry or mining

Technical specifications

Color	Wavelength
red	630nm
yellow	590nm
green	520nm
orange	620nm
blue	470nm
white	X = 0.3 / Y = 0.32

Current consumption

20 mA (12/24 VDC), 6-8 mA (115 VDC/VAC), 4 mA (230 VAC)

Operating and storage temperature

-40 °C up to +85°C

Standard options

Series

WSF = LED Indicator convex

Diameter

17 = 17mm

Terminals

L = soldering leads

F = faston terminals 2,8 x 0,8mm

C = cable connection 1,2m

Color code

1 = red 6 = blue

2 = yellow 7 = white

3 = green 8 = red-green

4 = orange 136 = red-green-blue

Lens

C = colored

W = white opaque

Voltages

D = VDC, 5 - 115 VDC

A = VAC, 5 - 230 VAC

Housing

A = standard aluminum, hard anodized, colorless

B = aluminum anodized, black

N = nickel plated aluminum

C = chrome plated aluminum

Nut

P = Standard black plastic, glass fibre reinforced

M = Metal nut

Ordering example

WSF17 C1 C24 DAP

LED Indicator WSF 17, 17mm diameter, cable connection, red LED, red colored convex lens, 24 VDC, colorless anodized aluminum housing, plastic nut M14x1, O-ring NBR 70



Upon request

- other voltages
- common anode
- other connectors
- flashing LED
- other housing colors

Manufacturer

W. Schmid AG
Dorfstrasse 23
5442 Fislisbach
Switzerland

Tel: +41 56 470 00 77 Fax: +41 56 470 00 74

E-mail: sales@led-lamps.ch URL: <http://www.led-lamps.ch>